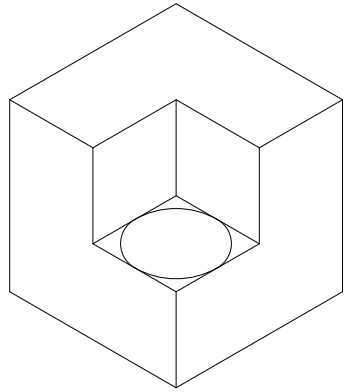
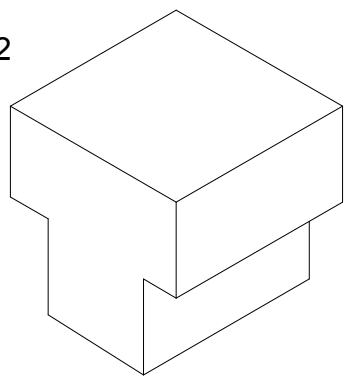


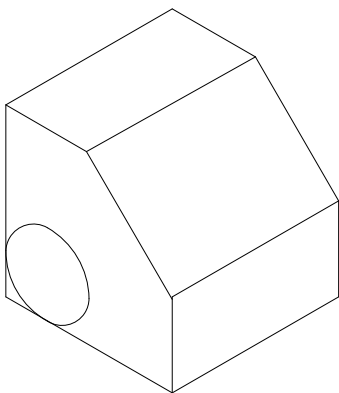
1



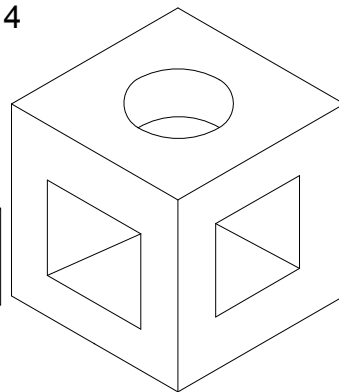
2



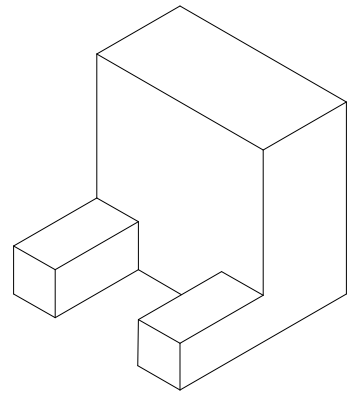
3



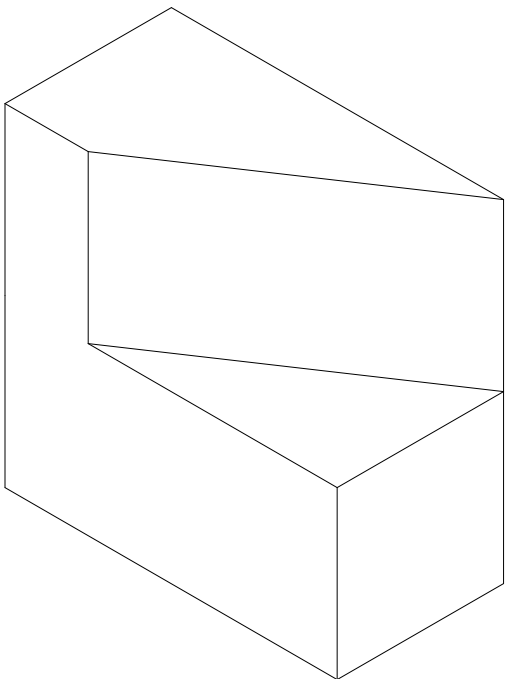
4



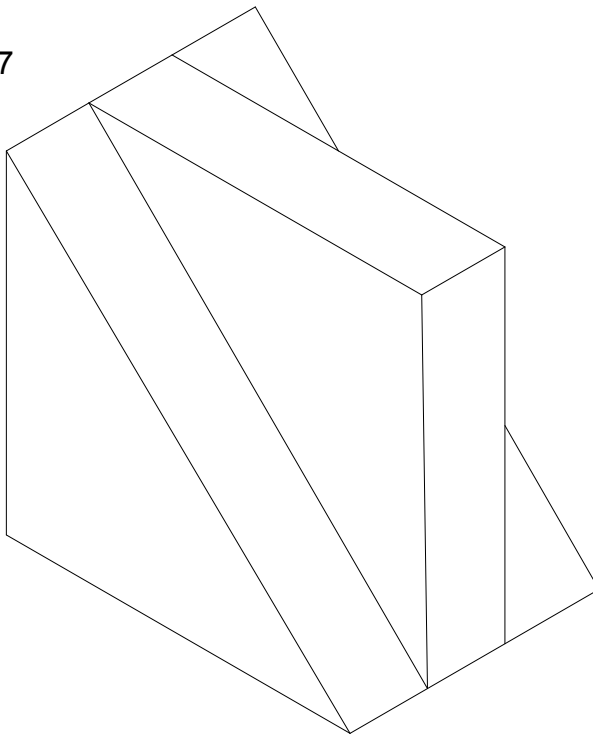
5



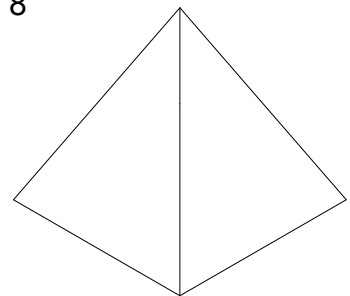
6



7



8



STEVENSON HIGH SCHOOL
TECHNOLOGY EDUCATION DEPARTMENT
TECHNICAL DRAWING PROGRAM

DRN BY: MICHELLE CRUZ
DATE: 10-21-11
SCALE: FULL

ISOPRACTICE 2

1
1